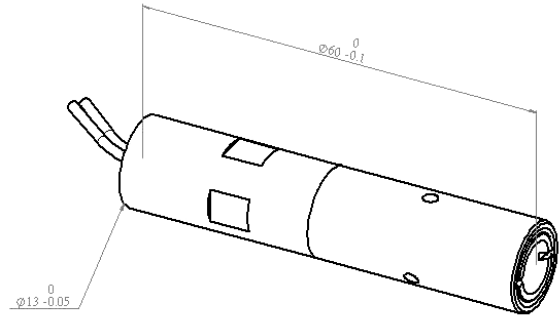
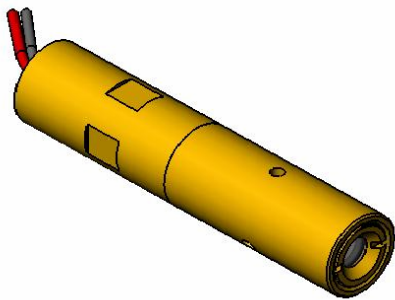


## MODEL TYPE

**VLM-532-43 LPT/ VLM-532-43 LPA /**

**VLM-532-43 LPB/ VLM-532-43 LPC**

**OUTLINE DIMENSIONS (UNITS: mm)**



1. Miniature highlight green laser module for industrial application.
2. Compact size for general application.
3. The brass housing for better heat dispersion.
4. Multiple glass lenses included for high quality laser focus.
5. High laser output power stability driver included with APC driver.

SPECIFICATIONS	532-43-LPT	532-43-LPA	532-43-LPB	532-43-LPC
Operating voltage (Vop)	2.7~3.3V			
Operating current (Iop)	≤300mA			
Cw output power (Po)	<1mW(CW)	1~5mW(CW)	5~10mW(CW)	10~15mW(CW)
Wavelength at peak emission ( λ p)	532nm			
Output power stability	<10% @25°C after 5 minutes warm up			
Housing	Brass			
Spot size (φ)	<6mm@5m; <18mm@30m			
Divergence angle	<0.3mrad (half angle)			
Operating temp. range	15~35°C	15~35°C	20~30°C	20~30°C
Power source	Alkaline battery (Not included)			
Mean time to failure (MTTF) @ 25°C	3000 hrs			

