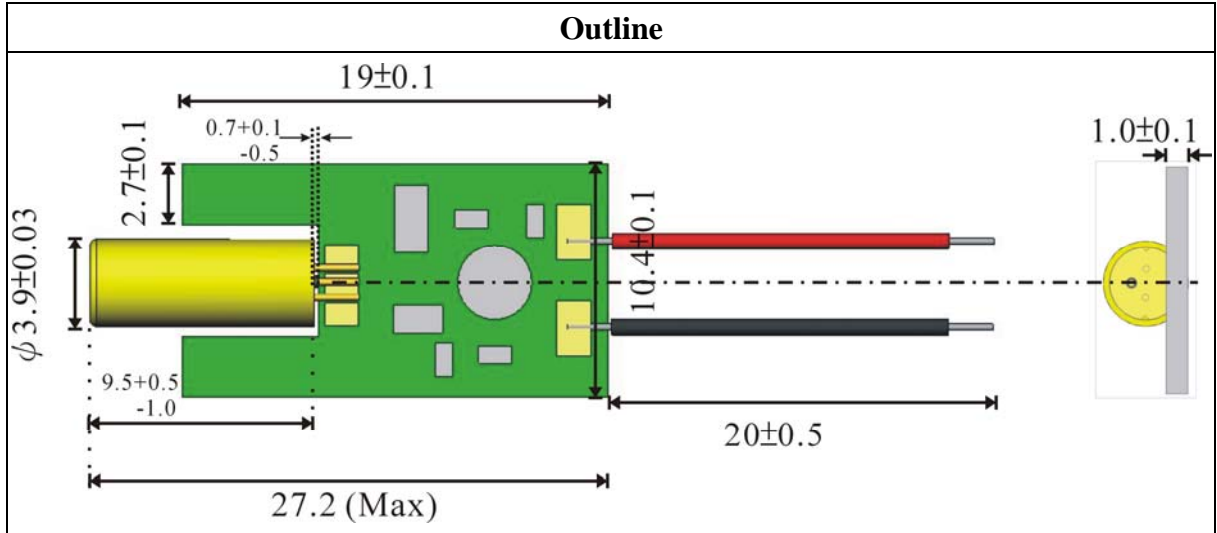


MODEL TYPE

VLM-650-32 LPA / LPT

OUTLINE DIMENSIONS (UNITS: mm)



1. This model integrated optic, laser diode, and the APC circuit into a patented structure for the small space.
2. The positive and negative line of module is 26AWG.20mm and 1mm naked.
3. E.S.D. protection 15KV.

SPECIFICATIONS	VLM-65032
Operating voltage (Vop)	3~4.5V
Operating current (Iop)	$\leq 40\text{mA}$
Cw output power (Po)	$\leq 2.5\text{mW}$
Wavelength at peak emission (λp)	645~665nm
Collimating lens	Aspherical plastic ($\phi 3$)
Housing	Brass
Mean time to failure (MTTF) 1.0mW 25°C	5000hrs
Operating temp. range	+10°C ~ +30°C
Storage temp. range	-20°C ~ +60°C
Spot size at 3M	$6 \pm 3\text{mm}$