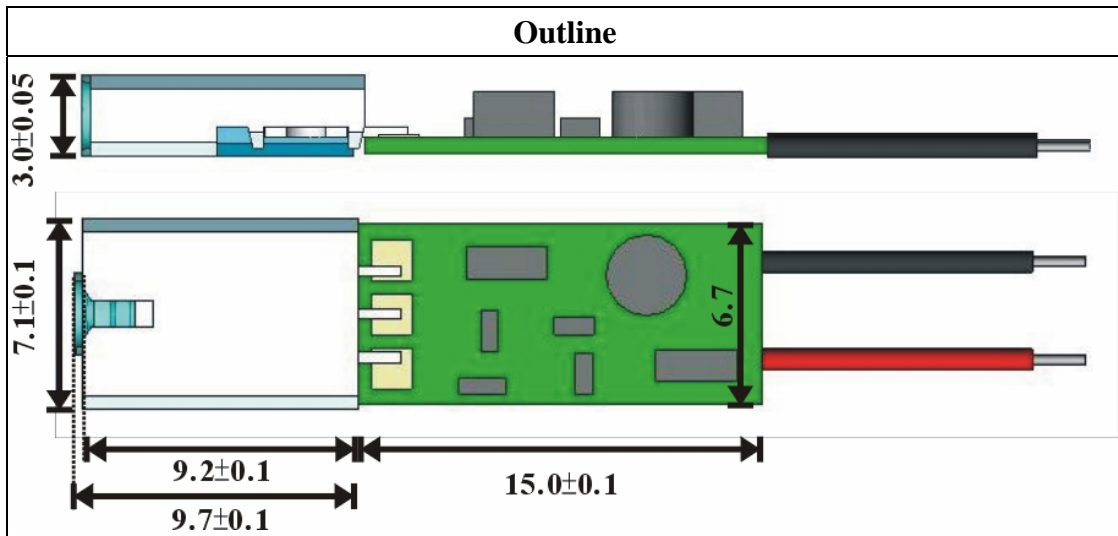


MODEL TYPE

Quarton module model: VLM-650-36 LPT/LPA

Mechanical Dimensions (UNITS: mm)



1. For general laser sighting application.
2. The thinnest model integrated optic, laser diode, and the APC driver circuit.
3. Options: Connection type: Spring / Lead wire (Spring type: by order).
4. E.S.D. protection 15KV.

SPECIFICATIONS	VLM-650-36 LPA	VLM-650-36 LPT
APC Driver Circuit	Yes	
Operating voltage (Vop)	3~5V	
Operating current (Iop)	35 ± 15 mA	30 ± 15 mA
Cw output power (Po)	1~2mW	≤ 1 mW
Wavelength at peak emission (λ_p)	645~665nm	
Collimating lens	Aspherical plastic ($\phi 3$)	
Housing	Zinc alloy	
Spot size at 5M	6 ± 3 mm	
Divergence	2.0mrad	
Operating temp. range	$+10^\circ\text{C} \sim +30^\circ\text{C}$	
Storage temp. range	$-20^\circ\text{C} \sim +65^\circ\text{C}$	