

High Power IR Laser Module

VLM-850-82-Series



FEATURES:

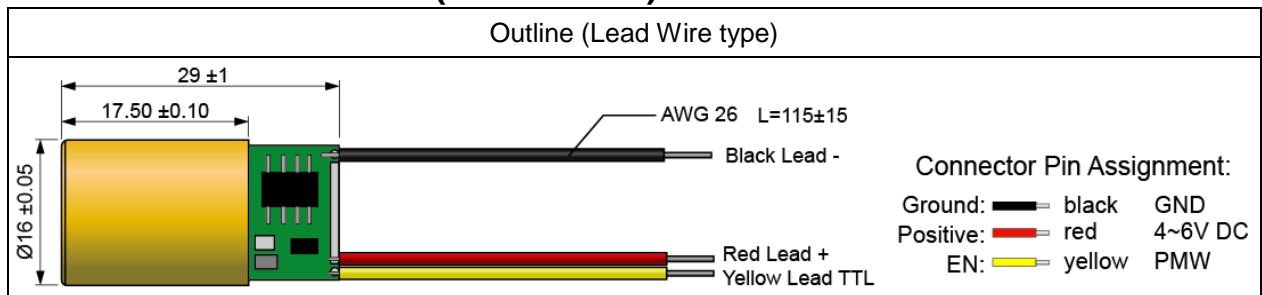
- 3W IR Laser Illuminator.
- 15° / 30° Divergence angle meet Class I Eye Safe laser regulation.
- Dimensions : Ø16 x 29mm (Ø0.629" x 1.14")
- Wavelength : 850 nm
- Laser power output : LPO - Class I - Eye Safe
- Fan Angle : 15° / 30°
- 9~36 VDC operation.
- Connection type : Lead wire
- This module has integrated optic, laser diode, and APC driver circuit.
- APC Driver Circuit enables the Laser output power safe and constant.

APPLICATIONS:

- 3W IR Laser Illuminator.
- Ideal for Security Camera Illumination, and night vision device illumination.
- 15 degree divergence angle: Mid Range Application 30 meters to 100 meters.
- 30 degree divergence angle: Short Range within 10 meters to 50 meters.

VLM-850-82-Series

OUTLINE DIMENSIONS (UNITS: mm)



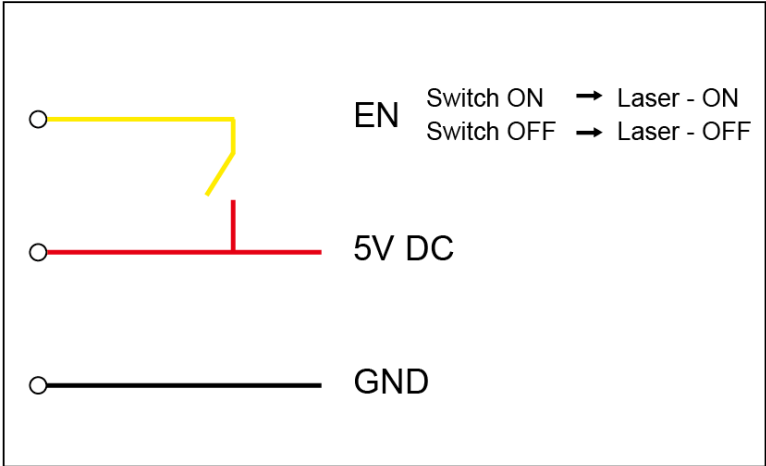
SPECIFICATIONS

SPECIFICATIONS		VLM-850-82	
		LPO-15	LPO-30
1	Dimensions	Ø16 x 29 mm (Ø0.629" x 1.14")	
2	Weight	17g±0.5g (0.59±0.017 oz.)	
3	Operating voltage (Vop)	9 to 36 VDC	
4	Operating current (Iop)	< 600mA	
5	Output power (Po)	Class I, Eye Safe*	
6	Wavelength at peak emission (λp)	850nm	
7	Collimating lens	Aspherical Glass lens	
8	Output aperture	5mm	
9	Beam shape	Round	
10	Fan angle	15°	30°
11	Spot size at 10M	2.4M	4M
12	Operating temp. range	-10°C ~+50°C	
13	Storage temp. range	-20°C ~+65°C	
14	EN Operating mode	High ON	
15	Housing material	Bronze	
16	Potential of housing**	VDD(+)	
17	Electrostatic discharge (ESD)	30KV	
18	Moisture sensitivity level (MSL)	Level 1 - acc to JEDEC J-STD-020E.	
19	Wire type	1007-26 AWG	
20	Cable length	115±15mm	
21	Mean time to failure (MTTF) 25°C	10000hrs	

* This product meets specified certification standards, 21 CFR 1040.10 (United States) and IEC 60825-1 (Europe). Please refer to the final page to see the test report from a nationally recognized testing laboratory, SGS, that shows evidence that this product was tested according to the standard IEC 60825-1. Besides, this product has the Food and Drug Administration (FDA) accession number.

** Laser module housing is an electrical positive surface, it is imperative that contact between the laser module and the machine be avoided. This is to prevent damage from the machine electrical leakage. Surge protected power supply to the laser module is strongly recommended.

VLM-850-82-Series



ORDER CODE

Order Code	Wavelength	Laser Power Output	Fan Angle	Connection Type
VLM-850-82 LPO-15	850 nm	CLASS I	15°	Lead Wire
VLM-850-82 LPO-30	850 nm	CLASS I	30°	Lead Wire

SAFETY LABEL

CLASS I LASER PRODUCT