

Red Dot Laser Module with TTL Function

VLM-635-61 Series



FEATURES:

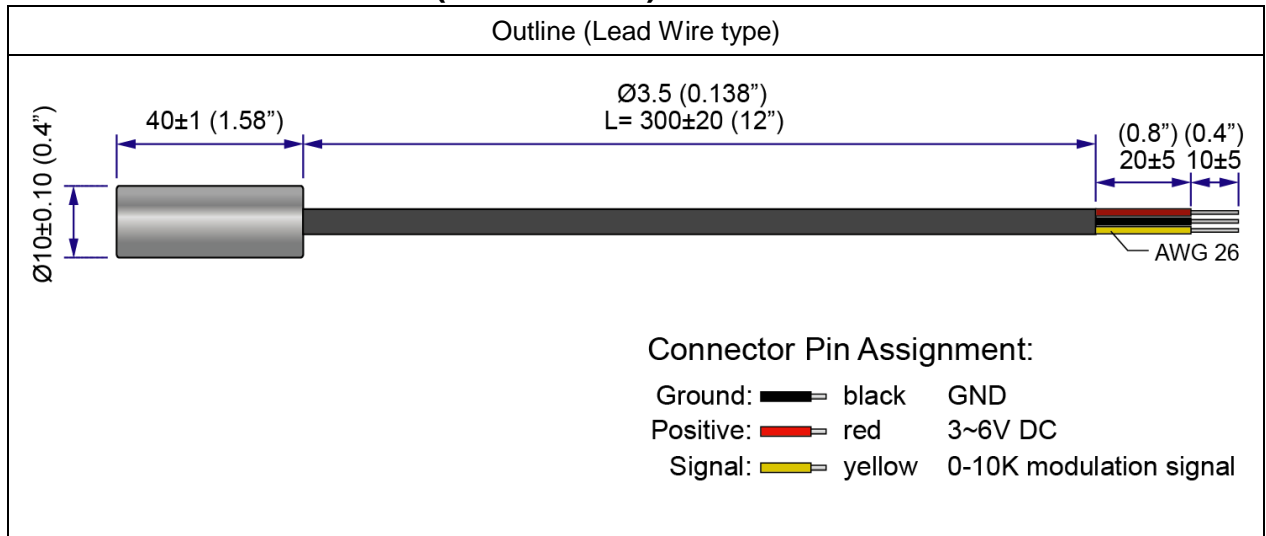
- Extremely small circular laser dot within 1 meter.
- Robust stainless steel housing.
- Built with high precision glass lens.
- CW to 10K HZ stable power output for demanding power and speed are of important.
- Customized focus within 1 meter available please direct contact us.
- Two laser power output level: LPO - Class I laser product
LPT - Class II laser product
- Dimensions : Ø10 x 40 mm (Ø0.39" x 1.575")
- Wavelength : 630~645 nm
- 3~6 VDC operation.
- Connection type : Lead wire

APPLICATIONS: ideal for

- Machine vision.
- Automation industry.
- Image processing.
- Medical & Science.
- Scanning.
- Counting.
- Measurement.

VLM-635-61 Series

OUTLINE DIMENSIONS (UNITS: mm)



SPECIFICATIONS

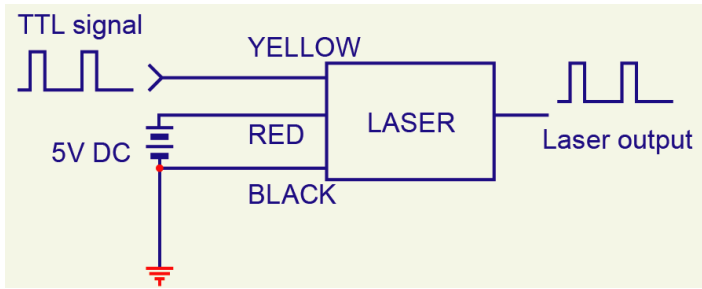
Part Number		VLM-635-61 LPO	VLM-635-61 LPT
1	Spot Size	$< 1\text{mm}$, From 0 to 50cm $< 2\text{mm}$, From 50cm to 90cm	
2	Dimensions	$\varnothing 10 \times 40 \text{ mm}$ ($\varnothing 0.39" \times 1.575"$)	
3	Weight	$16 \pm 1\text{g}$	
4	Operating voltage (Vop)	3~6 VDC	
5	Operating current (Iop)	Less than 40mA	Less than 80mA
6	Laser power output	Less than 0.39mW	Less than 1mW
7	Laser class	Class I	Class II
8	Wavelength (λ_p)	630~645nm	
9	Collimating lens / Line generating lens	Aspherical glass lens	
10	Output aperture	0.6mm	
11	Beam shape	Circular	
12	Divergence (Half Angle)	Less than 0.4 mRad	
13	Beam alignment	Less than 3°	
14	Operating temp. range*	$-20^\circ\text{C} \sim +60^\circ\text{C}$	
15	Storage temp. range	$-20^\circ\text{C} \sim +85^\circ\text{C}$	
16	Housing material	Stainless steel	
17	Potential of housing	Insulated	
18	Mod. Frequency range	0-10kHz	

VLM-635-61 Series

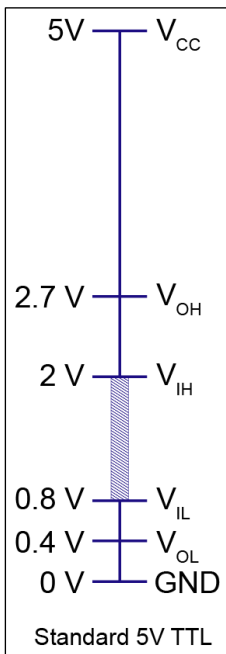
19	Operation mode**	TTL(High on)***
20	EN input current	1 to 20mA
21	Electrostatic discharge (ESD)	30KV / Arc protection
22	Moisture sensitivity level (MSL)	Level 1 - acc to JEDEC J-STD-020E.
23	Wire type	2464 3-WIRE CABLE 26 AWG
24	Cable length	330±30mm
25	Mean time to failure (MTTF) 25°C	10000 hrs
26	International Protection Marking	IP67
27	Application	Industrial alignment with modulation function
28	Suggestion work distance	0~0.9 meters / 0~3 feet

* Operation temperature means within this temperature range, the laser spot/line will not be affected to change the spot size/line width. It can still work over this range, but the laser spot size or laser line width will be larger.

** TTL Operation Function Diagram



*** TTL Level



VLM-635-61 Series

ORDER CODE

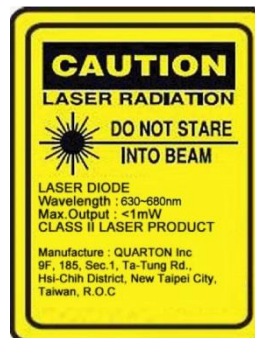
Order Code	Wavelength	Laser Power Output	Laser Class	Connection Type
VLM-635-61 LPT	635 nm	Less than 1mW	Class II	Lead Wire
VLM-635-61 LPO	635 nm	Less than 0.39mW	Class I	Lead Wire

SAFETY LABEL

LPO:

CLASS I LASER PRODUCT

LPT:



Optional Accessories

Quarton offers mounts, power supply boards, battery pack and USB cable switch to help you running as quickly as possible. For more information, please visit www.quarton.com, www.quarton.com/contact or email contact@quarton.com.

QLM-1125 - Laser Module Mount/Holder for diameter 6mm to 12.5mm, it's an ideal choose for mounted onto optical tables.

Feature:

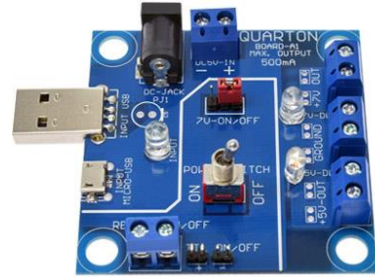
- 4 directions adjustable.
- Can be mounted onto the optical table with screws (Screws not included).
- Engraved scale for precision adjustable.



Optional Accessories

LMPS-MP1 - Multi-function Laser Module Power Supply Board.

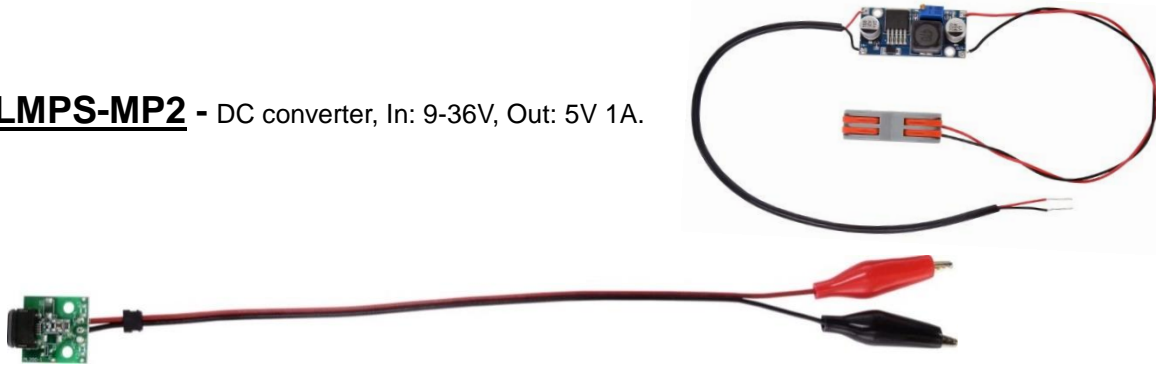
Four input : USB, micro USB, DC Power Jack(5.5 x 2.1), and terminal block. Two channel output : 7 VDC 500mA and 5 VDC 1A. Three switches-toggle switch, remote switch and TTL signal.



Feature:

- Allow four kinds of power input: USB, micro USB, DC Power Jack(5.5x2.1) and terminal block.
- Two Channel output: 7 VDC 500mA and 5 VDC 1A.
- Built-in three switches: toggle switch, terminal block remote switch and TTL signal switch by on-board connect point.
- 7 VDC output work for all Quarton Laser Modules with 7-12 V operation Voltage (Vop).
- 5 VDC output work for all Quarton Laser Modules with 3-6 V operation Voltage (Vop).
- Three LED indicators: Input power indicator, 7V output indicator and 5V output indicator.

LMPS-MP2 - DC converter, In: 9-36V, Out: 5V 1A.



LMPS-mUSB1 - Laser Module Power Supply Board, Input: micro USB, Output: 5 VDC 500mA.

Feature:

- Micro USB connector power input. Output 5 VDC 500mA with alligator clips.
- For all Quarton Laser Modules that require 3-6V operation Voltage.



LMPS-DC1 - Laser Module Power Supply Board, Input: DC Power Jack(5.5 x 2.1), Output: 5 VDC 500mA.

Feature:

- DC Power Jack(5.5 x 2.1) power input. Output 5 VDC 500mA with alligator clips.
- For all Quarton Laser Modules that require 3-6V operation voltage.

Optional Accessories



CLM-BP4N3 - Battery pack (4* AA batteries)

*** AA Batteries are **NOT** included in package.

Feature:

- USB Output Voltage: 5 VDC.
- Color: Black.



CLM-USBSW - USB Cable Switch.

Feature:

- Length: 28cm.
- Color: Black.



CLM-UM3M - USB to micro USB Cable.

Feature:

- Length: 3 meters.
- Color: Black.